



Tsi578™

Serial RapidIO Development Platform

Features

Tsi578 Serial RapidIO Switch

- 80 Gbits/s aggregate bandwidth
- 14/8 port switch
- RapidIO Interconnect Specification (Revision 1.3) compliant
- Low latency with cut-through capability
- Multicast support

Tsi578 Development Platform

- Proof-of-concept system
- Interoperability Testing
- Demonstration System
- ASIC/SOC/IP Development

The Tsi578 Serial RapidIO Development Platform enables customers to exercise the functionality of both Serial RapidIO and the Tsi578 in a real-world application which can expand to meet any system requirement.

Board Specifications

- Board Size: 302mm x 322 mm
- Operating Temperature: 0 to 70 C (ambient)
- Weight: 225g
- Power Requirement: Standard ATX supply

Typical Companion Cards

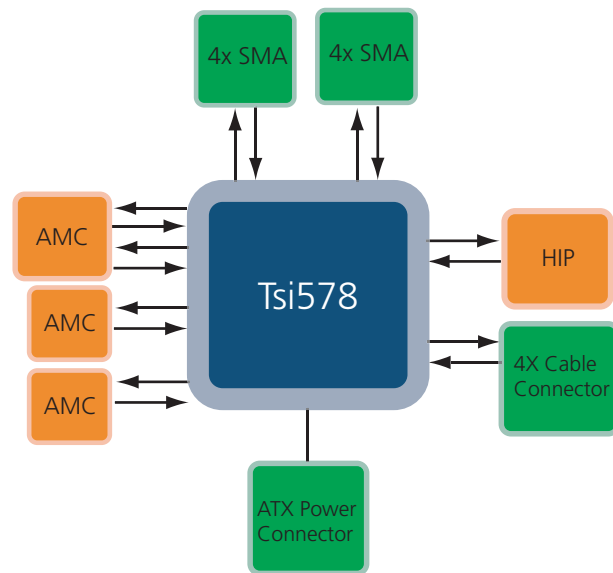
- DSP Farm/Cluster Advanced Mezzanine Card
- Processor Advanced Mezzanine Card
- FPGA Development Card
- ASIC Development Board

Design challenges that confront developers can be overcome through leveraging the Tsi578 platform. This platform provides a low cost prototype solution for system architects, boards designers, and software developers. It can be used in conjunction with other off-the-shelf components to immediately create proof-of-concept system demonstration, an application software development environment, or an interoperability-testing suite.

The Tundra Tsi578 Serial RapidIO Switch provides the connectivity throughout the platform. The Tsi578 interconnects serial RapidIO enabled processors and peripheral devices and supports an aggregate bandwidth of 80 Gbits/s. Designers can take advantage of multiple port widths and speed configuration options to satisfy the interconnect requirements.

The platform also enables designers to exercise the Tsi578's multicast capability which is critical for many wireless infrastructure, video gateway and signal processing applications.

Serial RapidIO Development Platform Block Diagram



Benefits

- Ease of Design
 - Provides the design information required to easily prototype and build systems using the Tsi578
 - Platform uses commercial components for re-use in development.
 - Application Engineers support request available through Tundra design support tools on the website.
- Ease of Use
 - Personal, professional support
 - Registration on Tundra Design Support Tools ensures you are always notified when documents are updated and added.
- Ease of Access
 - Request download of the tools anytime, anywhere, from the Tundra website
 - Order platform from key partner Silicon Turnkey Express

Contact Information

Silicon Turnkey Express (affiliate of RPC Electronics)

749 Miner Rd.

Highland, Hts, Oh 44143

PH: 440 461 4700 FX: 440 461 4329

www.silicontkx.com

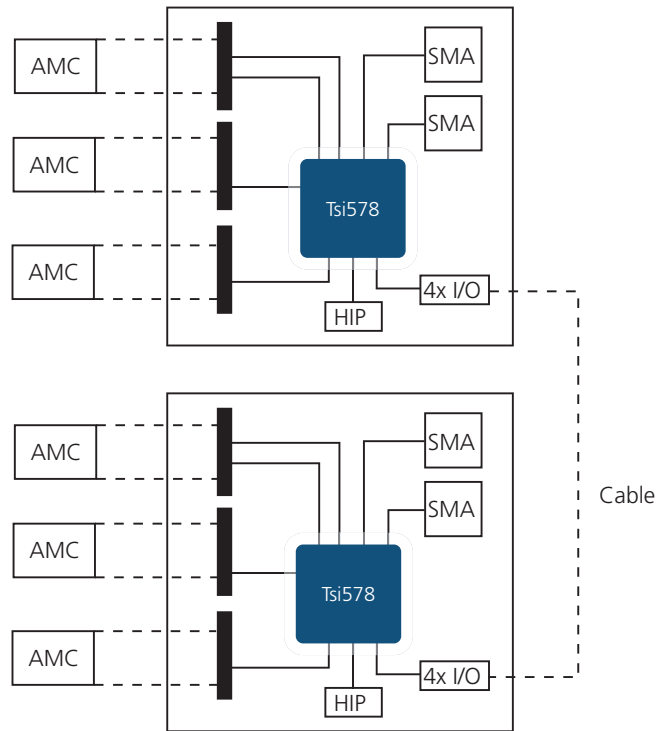
Please contact Silicon Turnkey Express for both purchasing and support.

Typical Development Systems

The Tsi578 can be used in many embedded communication applications. The provides a chip-to-chip interconnect between devices, backplane fabric for board-to-board interconnect, and cable for chassis-to-chassis communication.

The serial RapidIO platform supplies the connectivity in proof-of-concept development systems.

Example Proof-of-concept and Software Development System



The serial RapidIO development platform also enables the creation of interoperability testing suites.

Example Interoperability Testing Suite

