



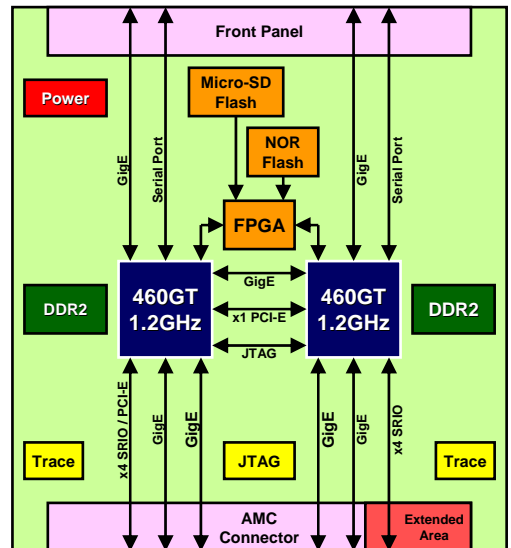
RD-460GT-KIT-01

Dual AMCC 460GT PCI SRIO AMC

Comprehensive reference design for dual-processor 460GT based AMC.
Turnkey hardware/software design minimizes time-to-market!

Features:

- Single-width card (180mm x 74mm x 17mm)
- Usable stand-alone or in ATCA chassis
- 2x 460GT 1.2GHz processors
- Shared memory, GigE and x1 PCI-Express
- 2x 512MB DDR2, 1/MPU
- 64MB NOR flash, 1GB Micro-SD flash
- 2x serial ports, 1/MPU
- 2x 10/100/1G Ethernet ports, 1/MPU
- 4x 10/100/1G AMC ports, 2/MPU
- 1 x4 Serial RapidIO AMC port connector
 - In extended AMC area
- 1 x4 Serial RapidIO / PCI-Express AMC port
- 1 shared JTAG connector
- 2x trace connectors, 1/MPU
- Linux 2.6 and U-Boot from Denx
- RapidFET software support



Contact

info@silicontkx.com
 www.silicontkx.com
 PH: 440 461 4700 119
 FX: 440 461 4329
 Silicon Turnkey Express



Sample applications, benchmarks and documentation on Resource CD.

Schematics, layout, Linux & U-Boot firmware free at AMCC web site.

Stock for \$2995⁰⁰

As of May 1st 2008



Fabric Embedded Tools: Make your RapidIO System easy to setup and debug using a management plane software tool, "RapidFET": at www.FETCORP.com

Silicon Partners:

- AMCC..... www.amcc.com
- DENX..... www.denx.com
- IDT..... www.idt.com
- QNX..... www.qnx.com
- RIO Lab..... www.rio-lab.com
- Texas Instruments..... www.ti.com
- Tundra Semiconductor..... www.tundra.com
- Zarlink..... www.zarlink.com

Original reference designs are available for customization and quick turn manufacturing!

Serial RapidIO Products Available From STx

- ★ AMC70K2000 – Hi Perf. Blade, 4 TI DSP & IDT PPS
 - ★ AMCLB Tool – AMC interface for port testing
 - ★ AMCSMA Tool – AMC with SMA jacks for data signals
 - ★ EVC70K2000 – IDT Pre-Processor switch carrier platform
 - ★ FPGA Mezzanine – FPGA daughter card
 - ★ Half-Pipe – AMC SRIO Bridge to Infiniband
 - ★ LRDK – Linux RapidIO Development Kit
 - ★ Mezz Adapter – Infiniband to FPGA Mezzanine card
 - ★ RD-460GT-KIT-1 – 2 PowerPC MPUs AMC with SRIO & PCI
 - ★ SRDP – Tundra switch carrier board: 568a, 576a, 578a
 - ★ SSRP – Switch-less carrier for interoperability testing
 - ★ ZLE60304,1 – Zarlink optical extender up to 25Gbps
- Check our web site for updates: www.silicontkx.com*

Contact

Silicon Turnkey Express
749 Miner Rd.
Highland Hts., OH 44143

Partners



info@silicontkx.com
www.silicontkx.com
PH: 440 461 4700 119
FX: 440 461 4329