



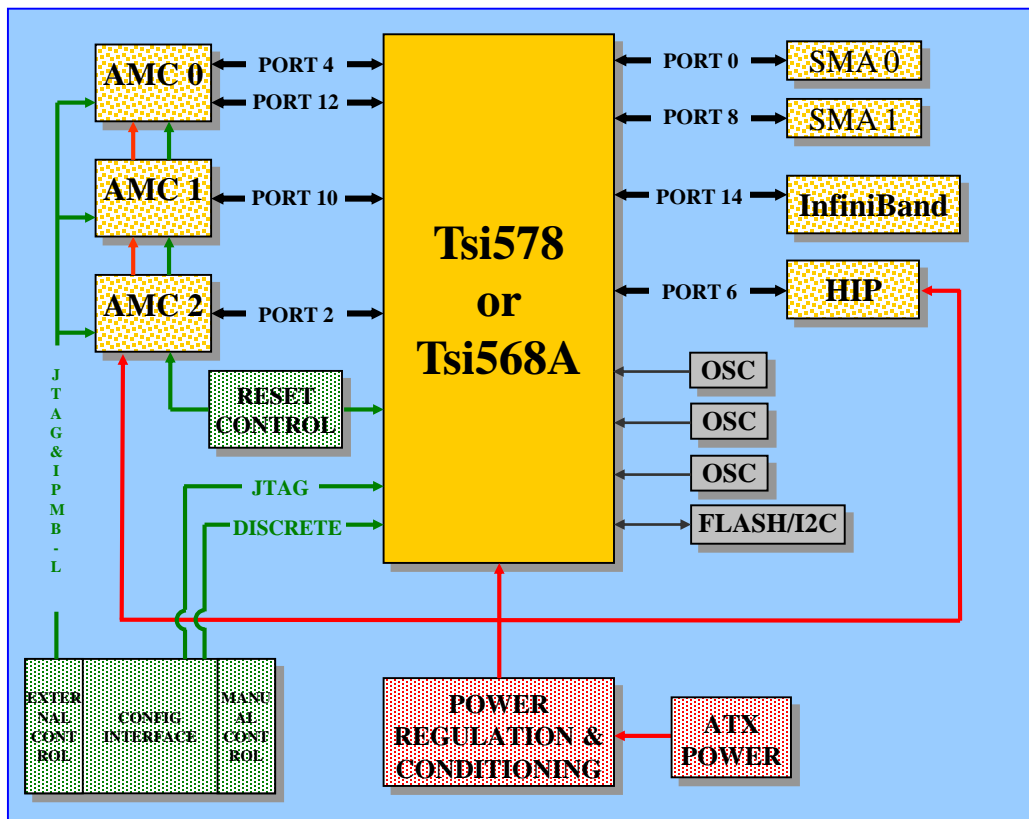
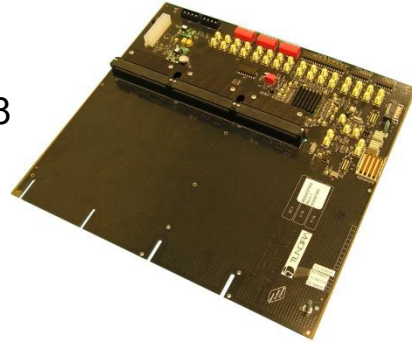
SRDP

Serial RapidIO Development Platform (SRDP568A or SRDP578)

The SRDP is a stand alone development system for SRIO.

IO Expansion Ports:

- With Either IDT's Tsi568A or Tsi578
- 3 AMC Card Slots
- 1 HIP
- 2 SMA Ports of 4 Lanes
- 1 Infiniband



Available from stock at \$3500

Contact STx to order or for more information

Contact

Silicon Turnkey Express
749 Miner Rd.
Highland Hts., OH 44143

info@silicontkx.com

www.silicontkx.com
PH: 440 461 4700 119
FX: 440 461 4329